

Indoor Fixed LED Display Screen

MW78XX-FI



MW78XX-FI Indoor Fixed LED Display Screen

Features

- Advanced grayscale gives detailed and realistic images.
- High refresh rate, high brightness, no glare, better viewing experience.
- Seamlessly splice images without black lines on the screen.
- Slim and light die-cast aluminum cabinet.
- Modular installation with a magnetic suction tool, simple and stylish appearance.
- Quick lock design for quick installation with only one person.
- Front/rear maintenance.
- Power supply with a wide input voltage range, strong adaptability.
- Long lifetime.
- Low heat, excellent heat dissipation, no noise.
- Low failure rate and maintenance cost.
- Ultra-wide viewing angle ensures satisfactory viewing experience from diversified angles.

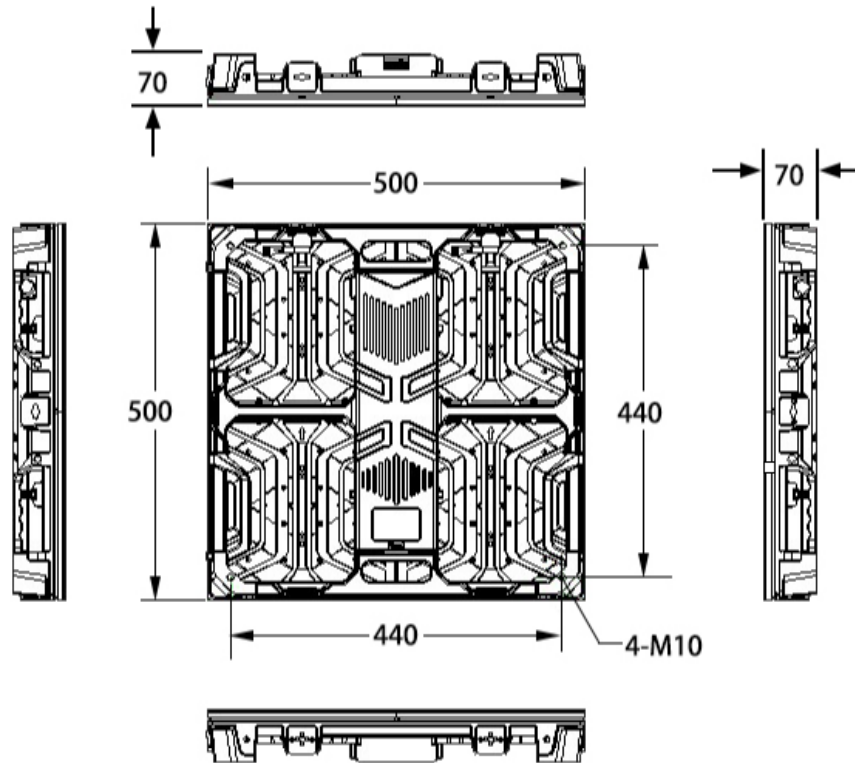
Specifications

Model	MW7819-FI	MW7826-FI	MW7829-FI	MW7839-FI
Module				
Pixel pitch	P1.9	P2.6	P2.9	P3.9
Resolution (W*H)	128*128	96*96	84*84	64*64
Dimensions (mm)	250*250			
Cabinet				
Dimensions (mm)	500*500*70			
Resolution (W*H)	256*256	192*192	168*168	128*128
Weight (kg/pcs)	7±0.5			
Pixel density (pitch/m ²)	262144	147456	112896	65536
Material	Die-cast aluminum			
Optical				
Brightness (nits)	600-700			
Contrast ratio	5000:1			
Color temperature (K)	2000 to 9500			
Viewing angle (H/V)	160°/140°	160°/140°	160°/140°	160°/140°
Processing performance				
Grayscale (bit)	14			
Scan (S)	32	32	28	16
Refresh rate (Hz)	3840			
Single pixel brightness correction	Support			
Single pixel color correction	Support			
Center distance deviation of LED	<3%			
Brightness uniformity	≥95%			
Color uniformity (Cx,Cy)	±0.003			
Electrical				
Average power consumption (W/m ²)	163	164	164	166
Max. power consumption (W/m ²)	489	490	490	500
Power supply (V)	AC 100 to 240			
Drive mode	Constant current driving			
General				
Maintenance mode	Front/rear maintenance			
Ingress protection	Front/rear: IP30			
Operating temperature	-10°C to 40°C			
Operating humidity	10% to 80% RH non-condensing			

Storage temperature	-20°C to 60°C
Storage humidity	10% to 85% RH non-condensing
LED lifetime (h)	100000
Certifications	CE/FCC/ETL

Appearance

Dimensions



Ordering Information

Model	Remarks
MW7819-FI	Indoor Fixed LED Display Screen
MW7826-FI	Indoor Fixed LED Display Screen
MW7829-FI	Indoor Fixed LED Display Screen
MW7839-FI	Indoor Fixed LED Display Screen

Zhejiang Uniview Technologies Co., Ltd.

Building No.10, Wanlun Science Park, Jiangling Road 88, Binjiang District, Hangzhou, Zhejiang, China

Email: overseasbusiness@uniview.com; globalsupport@uniview.com

<http://www.uniview.com>

©2022 Zhejiang Uniview Technologies Co., Ltd. All rights reserved.

* Product specifications and availability are subject to change without notice.